



Electric Motors

Disposal and Environment

hoyermotors.com

HOYER
MOTORS

Disposal and Environmental Information

This information concerns Hoyer low voltage electric motors frame sizes 56-450.

1. Product disposal information

In accordance with Directive 2012/19/ EU, regarding Waste Electrical and Electronic Equipment (WEEE), Hoyer Motors electric motors are marked with the crossed out wheeled bin symbol seen in Figure 1.

The symbol can be found on the motor rating plate or on the packaging and relevant documentation.



Figure 1 Symbol for the marking of WEEE

The symbol indicates that collection of electrical and electronic equipment must not take place together with ordinary domestic waste and that it must be treated as WEEE. Electrical and electronic equipment (EEE) contains materials, components and substances that may be hazardous and present a risk to human health and the environment when waste electrical and electronic equipment (WEEE) is not handled correctly.

More detailed information is available from the technical administration of the relevant local authority.

2. RoHS and REACH

All Hoyer Motors electric motors are in compliance with RoHS directive and REACH regulation. Official documents can be downloaded from Hoyer Motors website hoyermotors.com.

3. Electric Motors

Electric motors are manufactured with ferrous metals (steel, cast iron), non-ferrous metals (copper, aluminum) and plastics. At product's end-of-life, proper treatment must be adopted, in accordance with international and local regulations. Treatment facilities must be licensed and must comply with environmental requirements of the member states they are located in. Figure 2 present the main components of a three-phase electric motor. Table 1 describes the product materials.

4. Packaging material

The packaging of Hoyer Motors electric motors consists of carton, plastic, steel and wood. These materials are recyclable and Hoyer recommends recycling them in accordance with national regulations of each EU Member State.

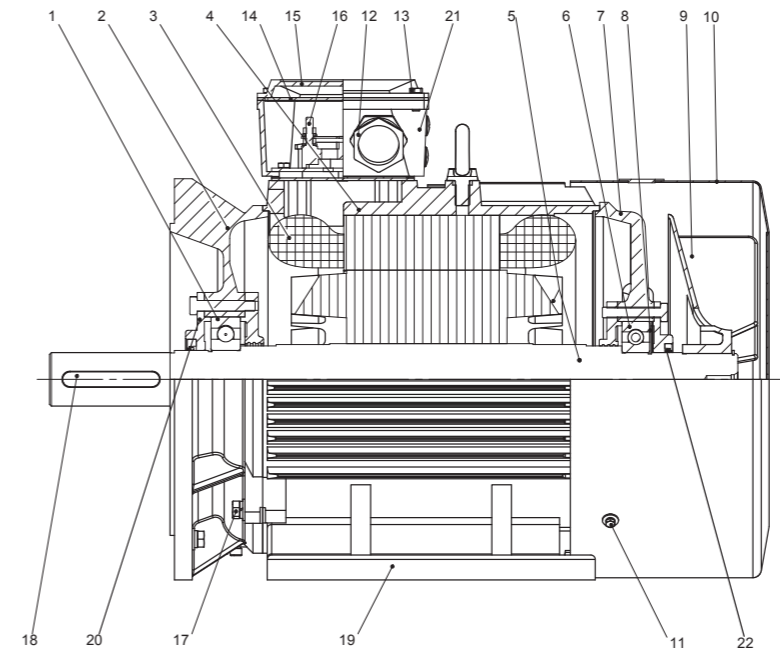


Figure 2 Three phase electric motor exploded drawing

Position	Description	Material
11, 17	Fasteners	Steel
	Oil seal rings	Rubber and steel
2, 7	Flanges	Aluminum/Cast Iron/Steel
15	Terminal box cover	Aluminum/Cast Iron
14	Gaskets	Rubber
16	Nuts, lashes, studs, washers	Brass/Steel
16	Terminal board	ABS/Ceramics/Resin
21	Terminal box	Aluminum/Cast Iron
12	Cable glands or Blind plugs	Brass/Steel/Plastic
4	Frame	Aluminum/Cast Iron/Steel
3	Stator package	Copper/Steel/Plastic
8	Preload washer	Steel
18	Key	Steel
5	Rotor assembly	Steel and aluminum
	Shaft	Steel
1, 6	Bearing	Steel/Steel and rubber
9	Fan	Plastic/Aluminum
10	Fan cover	Steel
19	Foots	Aluminum/Cast Iron
20	Bearing caps	Cast iron/Steel

Table 1 Components of a three phase electric motor

HOYER

EXCEEDING EXPECTATIONS

Hoyer Motors, Disposal and Environment, March 2019

Head Offices

Denmark
Over Hadstenvej 42 · DK-8370 Hadsten
T +45 86 98 21 11 · F +45 86 98 17 79
hoyermotors@hoyermotors.com
hoyermotors.com

China
19 Jingwu Middle Road · Beilun District
Ningbo 315821 · Zhejiang
T +86 574 26 28 15 77 · F +86 574 2628 1573
hoyermotors@hoyermotors.cn
hoyermotors.cn

Branch Offices

Germany
Landsberger Straße 155 · 80687 München
T +49 89 700 88 235 · F +49 89 543 56 333
germany@hoyermotors.com
hoyermotors.com

Sweden
Liljeholmsstranden 5 · PO box 44017
SE-100 73 Stockholm
T +46 8 446 877 13 · F + 46 8 446 877 20
sweden@hoyermotors.com
hoyermotors.com

Benelux
Vasteland 78 · 3011 BN, Rotterdam
T +31 10 420 35 20 · F +31 10 420 44 51
benelux@hoyermotors.com
hoyermotors.com

Korea
302ho · Code square, 3150-1
Daejeo 2-dong · Gangseo-gu · Busan · Korea
T +82 51 996 0251 · F +82 51 996 0252
korea@hoyermotors.com
hoyermotors.com

Japan
Mizunobu Bldg 7F, 1-11-1, Kitasaiwai
Nishi-ku Yokohama
japan@hoyermotors.com
hoyermotors.com